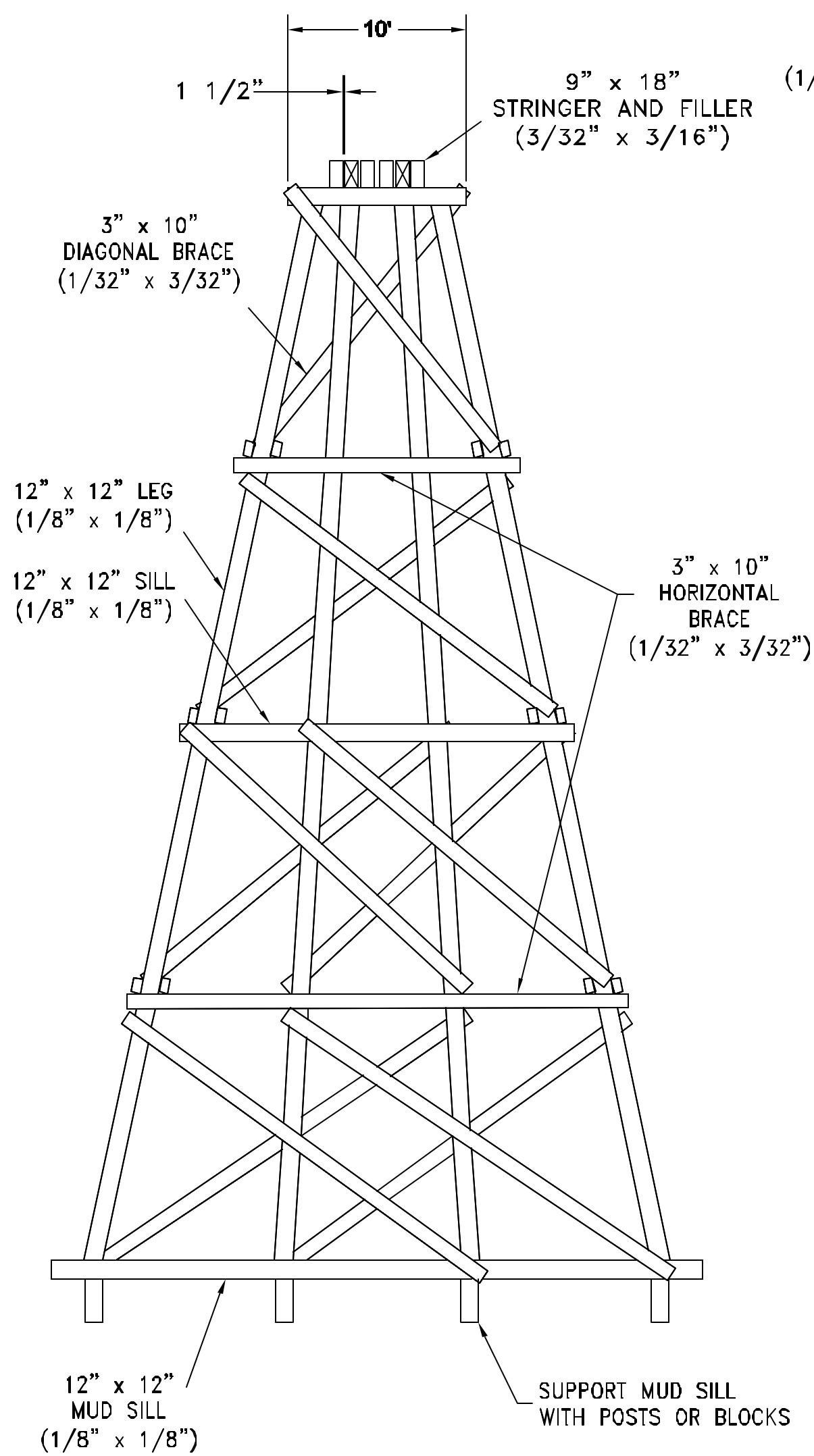
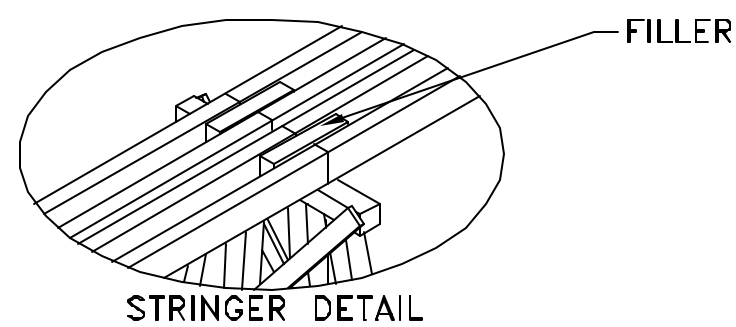



FALSE FRAME TRESTLE BENT



TRUE FRAME BENT or NOTCHED FRAME BENT



"HO" SCALE TRESTLE BENT - D&RGW		DRAWING SIZE	 Black Bear Construction Co. PO Box 28911 Austin, Texas 78756-0911 (512) 487-8400 FAX: (512) 458-8766
NARROW GAUGE	SHEET 1 OF 1	C	
AUG 6, 2002	TJ4DNHO	DRAWING SCALE 1:1	© 1994-2001 Black Bear Construction Co.