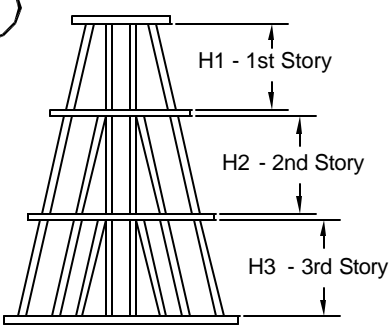
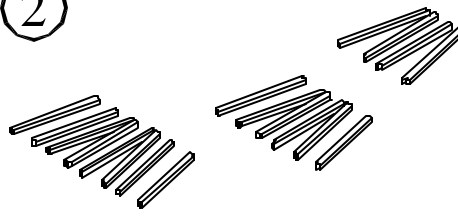
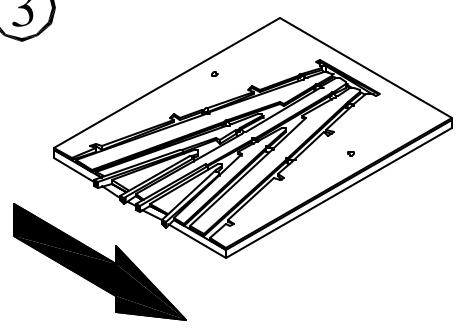
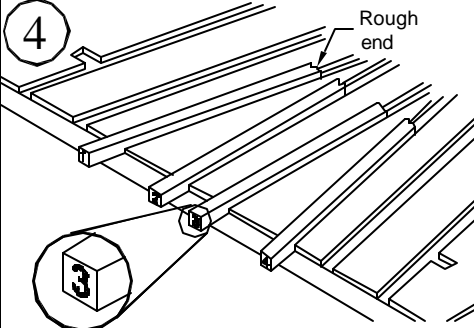
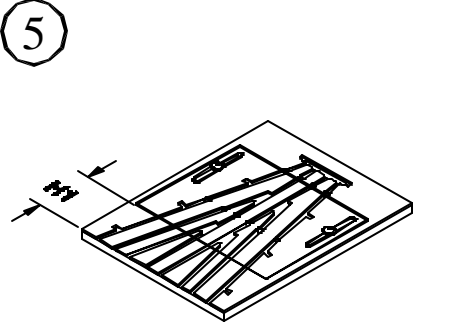
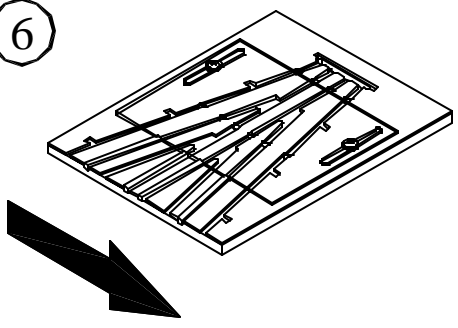
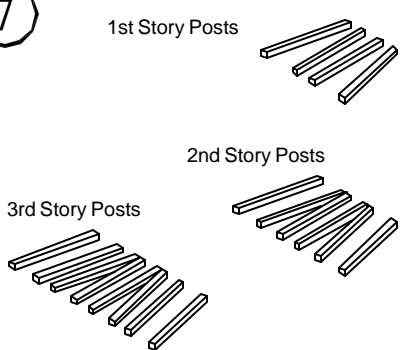
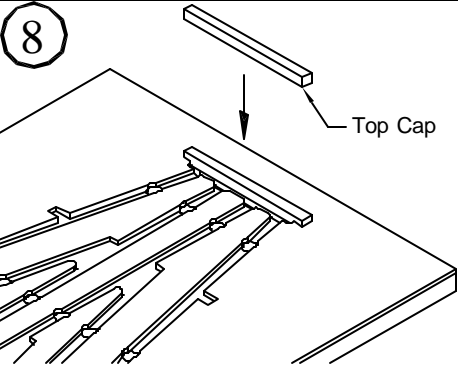
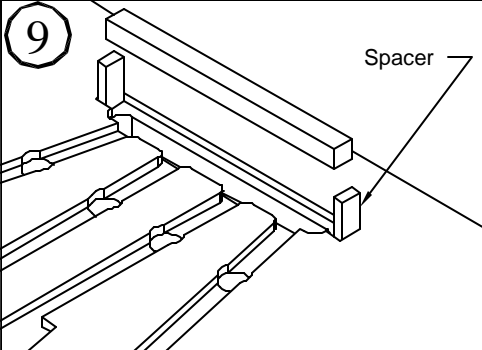
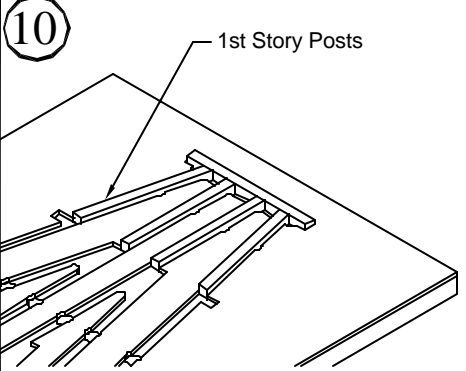
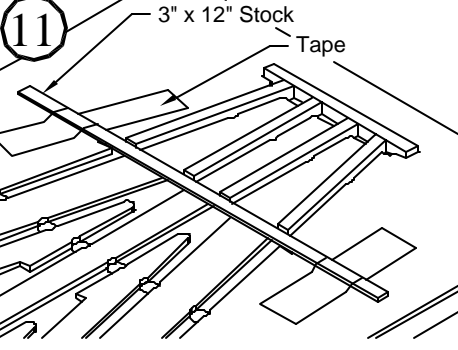
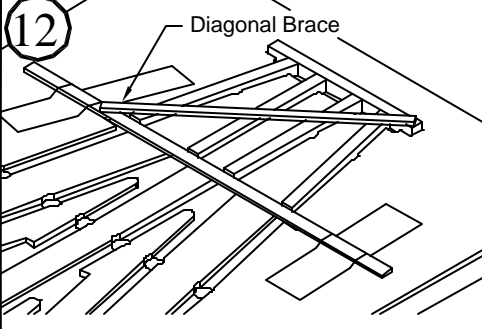
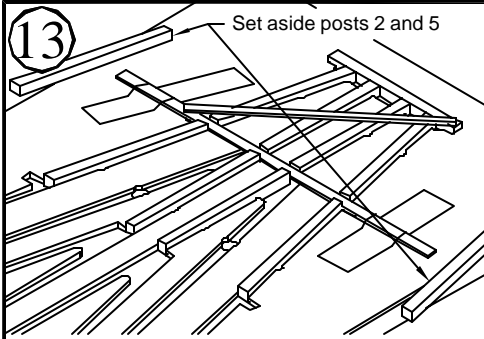


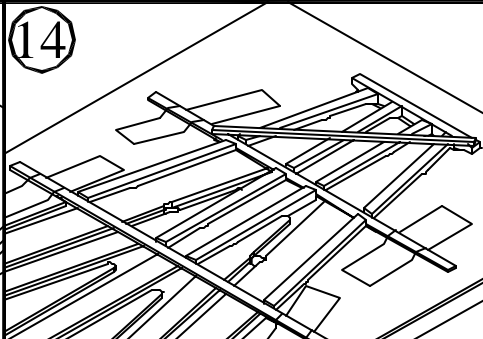
USING THE LEG CUTTING GUIDE

<p>1</p>  <p>Determine the lengths of the posts (legs) you will need. The notches on the jig are merely guidelines.</p>	<p>2</p>  <p>Rough cut (at least 1/4" too long) as many posts as you will need to complete your first bent. If you are sure of what you are doing you can cut all the posts you will need for the entire trestle, but it is suggested you see what you are getting into first.</p>	<p>3</p>  <p>Place each set of legs in the jig. Sand or saw off the ends parallel to the bottom of the jig.</p>
<p>4</p>  <p>Mark the posts on the end so you know which position they go in. Also, put them in labeled containers so you know what story they correspond to.</p>	<p>5</p>  <p>Adjust the Leg Cutting Guide so that the distance from the guide to the end of the jig is about equal to the height of the story to cut.</p>	<p>6</p>  <p>Put each set of posts in the jig with the previously sanded end against the cutting guide. Sand or saw the ends of the posts flush with the bottom edge of the jig.</p>
<p>7</p>  <p>Cut all the posts for one full bent. Keep the story section posts separate.</p>	<p>8</p>  <p>Cut a piece of 12" x 12" stock for the TOP CAP and place it in the jig.</p>	<p>9</p>  <p>OPTIONAL STEP: Insert spacers in the TOP CAP slot if you want to model a shorter top cap.</p>
<p>10</p>  <p>Glue the 1st STORY POSTS to the bottom of the top cap.</p>	<p>11</p>  <p>Tape a piece of 3" x 12" STOCK (provided with the jig) across the bottoms of the 1st story posts. This piece is temporary. It will be discarded later.</p>	<p>12</p>  <p>Glue the 1st story 3" x 8" diagonal brace across the 1st story posts to hold them together. Place the end of the diagonal brace over the 3" x 12" spacer just like it will overlap the actual sill later.</p>

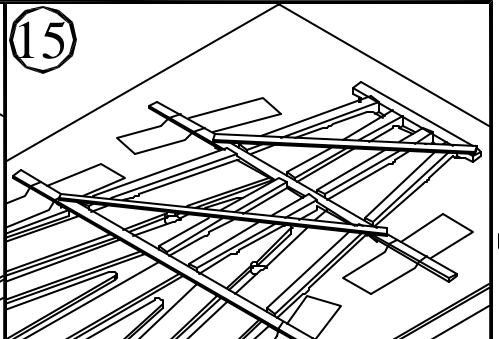
USING THE LEG CUTTING GUIDE (cont'd)

13  Set aside posts 2 and 5

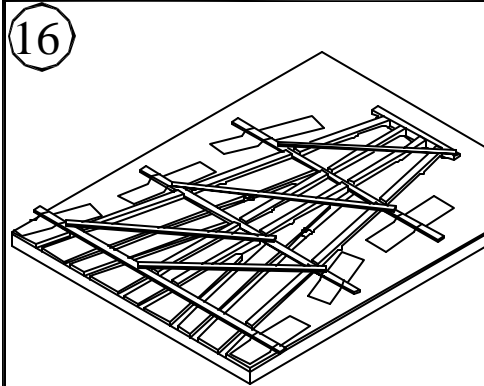
Insert into the jig, the **2nd STORY POSTS** that extend the legs just started. In this case, posts 1, 3, 4, and 6. Set the other posts (posts 2 and 5) aside to install later.

14 

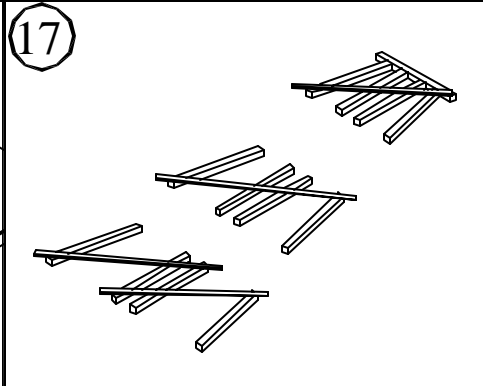
Tape a piece of **3" x 12" STOCK** across the bottoms of the 2nd story posts. This piece is temporary. It will be discarded later.

15 

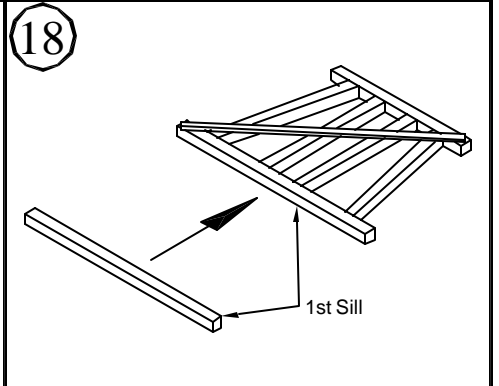
Glue the 2nd story **DIAGONAL BRACE** across the 2nd story posts. Extend the brace over the 3" x 12" stock just like it will overlap the sill later.

16 

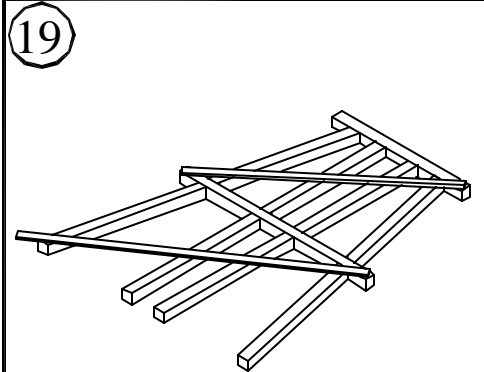
Repeat Steps 11 - 15 to build the **3rd STORY** section.

17 

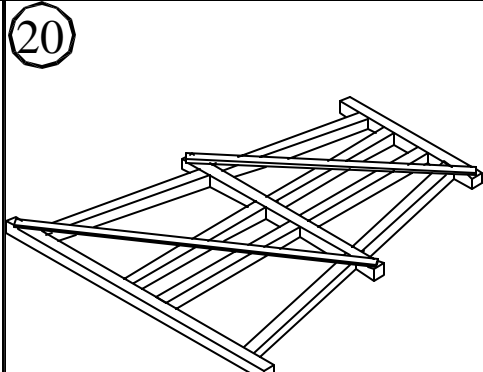
You can now remove all the sections from the jig. Save the piece of stock for the next bent.

18  1st Sill

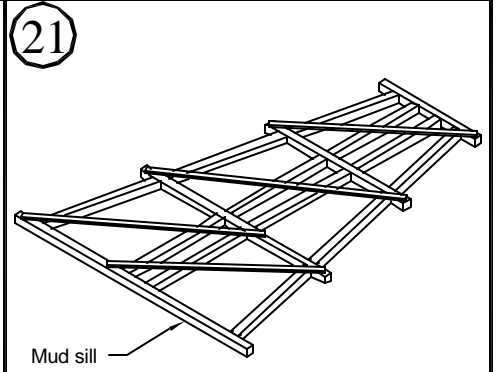
Cut the **1st SILL** to length. Glue it to the 1st story section.

19 

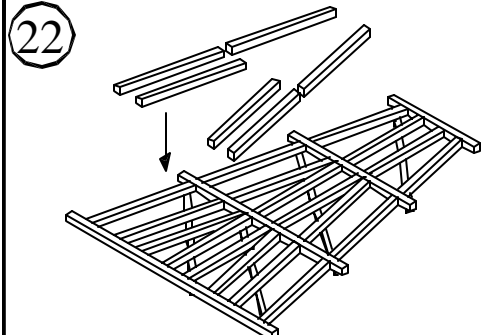
Glue the **2nd STORY SECTION** to the first sill.

20 

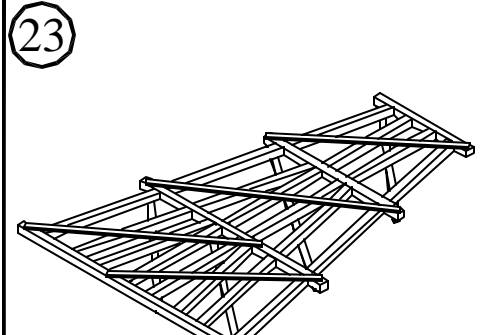
Cut the **2nd SILL** to length and glue it to the bottoms of the the 2nd story posts.

21  Mud sill

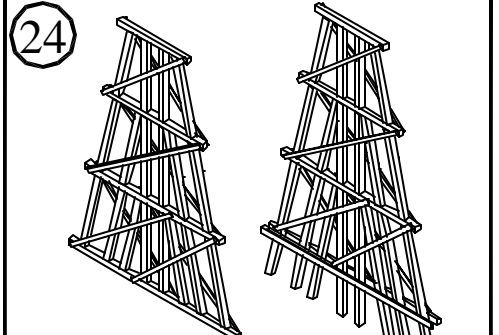
Likewise, glue the 3rd story posts and bottom sill (mud sill) in place.

22 

Turn the bent assembly over and glue the missing posts in place from the back side. Lay the bent on top of the jig to make sure the legs are parallel.

23 

Glue the **DIAGONAL BRACES** in place. Notice that the braces overlap the ends of the sills.

24 

Build all the trestle bents you need and install them on your layout. Notice that the bottoms can have a mud sill or legs that go into the ground.